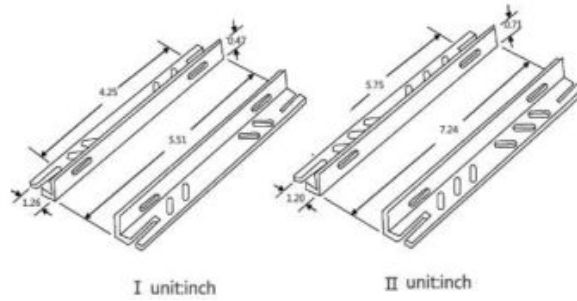
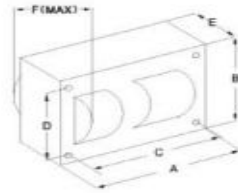


**120/208/240/277V 60Hz
US HID Magnetic Ballast
HPS/MH[Aluminum Coil]
120/208/240/277V 60Hz**



Please refer to Figure II ,when the power is above 175w. Other condition, refer to Figure I .



Ballast Model	Lamp Model	Input Voltage(V)	Circuit Type	Rated Power	Circuit Operating Current	Open Circuit Voltage	Power Factor	Size (inch)						(μF)Adapted Capacitor	weight kg	Insulation Class
								A	B	C	D	E	F			
HF-HPF MH50W.4T.A	M110	120/208/240/277	HX	50W	0.65/0.37/0.32/0.25A	250V	0.9	3.94	2.83	3.54	2.44	1.34	4.72	6μF /300V	2.17	H(180°)
HF-HPF MH70W.4T.A	M98	120/208/240/277	HX	70W	0.90/0.52/0.45/0.39A	250V	0.9	3.94	2.83	3.54	2.44	1.93	4.72	8μF /300V	2.6	H(180°)
HF-HPF MH100W.4T.A	M90	120/208/240/277	HX	100W	1.25/0.72/0.63/0.55A	250V	0.9	3.94	2.83	3.54	2.44	2.24	4.72	12μF /300V	3	H(180°)
HF-HPF MH150W.4T.A	M102	120/208/240/277	HX	150W	1.80/1.10/0.90/0.74A	250V	0.9	3.94	2.83	3.54	2.44	2.24	4.72	16μF /300V	3.3	H(180°)
HF-CWA MH175W.4T.A	M57	120/208/240/277	CWA	175W	1.80/1.10/0.90/0.80A	305V	0.9	3.94	2.83	3.54	2.44	2.6	4.72	10μF /400V	3.3	H(180°)
HF-CWA MH250W.4T.A	M58	120/208/240/277	CWA	250W	2.50/1.45/1.25/1.10A	300V	0.9	4.76	4.29	4.37	3.86	1.61	5.51	15μF /400V	4.1	H(180°)
HF-CWA MH400W.4T.A	M59	120/208/240/277	CWA	400W	4.00/2.30/2.00/1.70A	300V	0.9	4.72	4.29	4.37	3.86	2.36	5.51	24μF /400V	5.3	H(180°)
HF-CWA MH1000W.4T.A	M47	120/208/240/277	CWA	1000W	9.00/5.20/4.50/3.90A	425V	0.9	5.75	4.45	5.35	3.94	7.09	5.51	24μF /480V	9.8	H(180°)
HF-CWA MH1500W.4T.A	M48	120/208/240/277	CWA	1500W	13.0/7.60/6.60/5.80A	450V	0.9	5.98	4.29	5.35	3.94	4.72	7.09	32μF /540V	12.47	H(180°)
HF-HPF HPS70W.4T.A	S62	120/208/240/277	HX	70W	1.00/0.52/4.50/3.90A	120V	0.9	3.94	2.83	3.54	2.44	1.93	4.72	8μF /300V	2.6	H(180°)
HF-HPF HPS100W.4T.A	S54	120/208/240/277	HX	100W	1.30/0.75/4.65/3.56A	120V	0.9	3.94	2.83	3.54	2.44	2.24	4.72	10μF /300V	3	H(180°)
HF-HPF HPS150W.4T.A	S55	120/208/240/277	HX	150W	1.80/1.04/0.90/0.78A	120V	0.9	3.94	2.83	3.54	2.44	2.6	4.72	14μF /300V	3.3	H(180°)
HF-CWA HPS250W.4T.A	S50	120/208/240/277	CWA	250W	2.70/1.56/1.35/1.20A	190V	0.9	4.76	4.29	4.37	3.86	2.17	5.51	35μF /300V	5.3	H(180°)
HF-CWA HPS400W.4T.A	S51	120/208/240/277	CWA	400W	4.00/2.20/2.00/1.70A	190V	0.9	4.72	4.29	4.37	3.86	2.76	5.51	55μF /300V	6.5	H(180°)
HF-CWA HPS600W.4T.A	S106	120/208/240/277	CWA	600W	6.00/3.30/3.00/2.50A	220V	0.9	5.98	4.29	5.35	3.90	3.35	7.09	64μF /300V	9.2	H(180°)
HF-CWA	S52	120/208/240/277	CWA	1000W	9.00/5.30/4.50/3.90A	440V	0.9	5.98	4.29	5.35	3.90	4.33	7.09	26μF /525V	11.9	H(180°)

HF-PS175W.4T.A	M152	120/208/240/277	PS	175W	2.20/1.25/1.10/0.95A	255V	0.9	3.94	2.83	3.54	2.44	2.6	4.72	13 μ F /400V	3.75	H(180°)
HF-PS250W.4T.A	M153	120/208/240/277	PS	250W	2.40/1.45/1.20/1.15A	275V	0.9	4.72	4.29	4.37	3.86	2.17	4.72	18.5 μ F /400V	4.95	H(180°)
HF-PS320W.4T.A	M154	120/208/240/277	PS	320W	3.30/1.90/1.70/1.45A	280V	0.9	4.72	4.29	4.37	3.86	2.17	4.72	21 μ F /400V	5.2	H(180°)
HF-PS350W.4T.A	M131	120/208/240/277	PS	350W	3.40/1.90/1.70/1.40A	270V	0.9	4.72	4.29	4.37	3.86	2.17	4.72	26 μ F /300V	5.2	H(180°)
HF-PS400W.4T.A	M155	120/208/240/277	PS	400W	4.50/2.50/2.20/1.90A	270V	0.9	4.72	4.29	4.37	3.86	2.17	4.72	28 μ F /300V	5.2	H(180°)