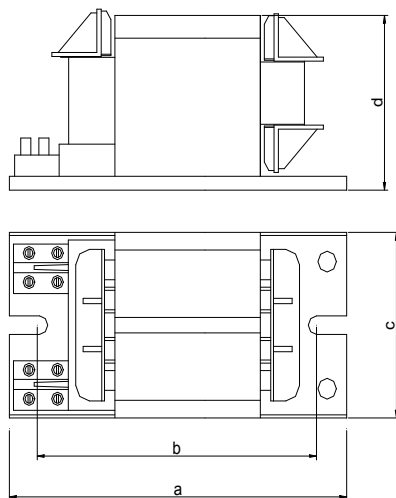
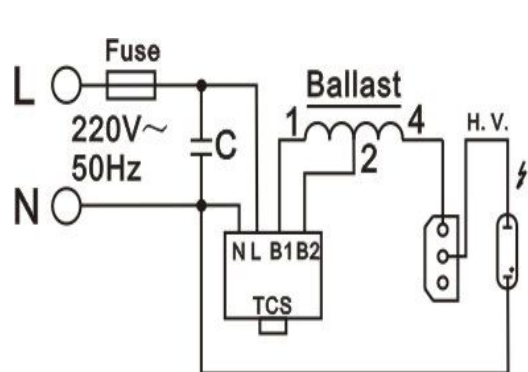


Power-changeable Ballast for High Pressure Sodium Lamps

Characterized by a timer and a power-changeable ballast operated in coordination, so the lamp power can automatically change with the preset time to save power.

It is a brand-new energy-saving lighting product.



Model	(A) Current	(V) Voltage	(W) Lamp	Δt K	tw	Cp μ	(kg) Weight	Size (mm)				QTY/ Carton	(mm) Carton Size
								a	b	c	d		
MSB400/250	4.6/3	220V~ 240V	HPS400W	70	130	50	5.4	160	145	96	85	4	358*217*110
MSB250/150	3/1.8	220V~ 240V	HPS250W	70	130	32	3.2	150	135	75	65	6	320*175*94
MSB150/100	1.8/1.2	220V~ 240V	HPS150W	70	130	20	2.1	125	112	75	65	6	275*255*94
MSB100/70	1.2/0.9 8	220V~ 240V	HPS100W	70	130	15	1.5	117	110	60	52.5	8	275*262*82