

85W Outdoor LED Drives LCU-085DXXX Series

Features

- ◇ Universal voltage input
- ◇ Using optimized control IC
- ◇ Perfect protection on SCP, OTP, OVP
- ◇ Dimming control for 0-10V, PWM and external resistor
- ◇ Low power loss (less than 0.75W in no-load condition)
- ◇ UL Type HL and Type TL certification
- ◇ Unique circuit design to increase reliability (2 patents pending)
- ◇ Waterproof (IP67) for damp or wet location



*Application: LED Outdoor lighting
LED Flood lamp
LED High Bay
LED Street lamp



LCU-085D035

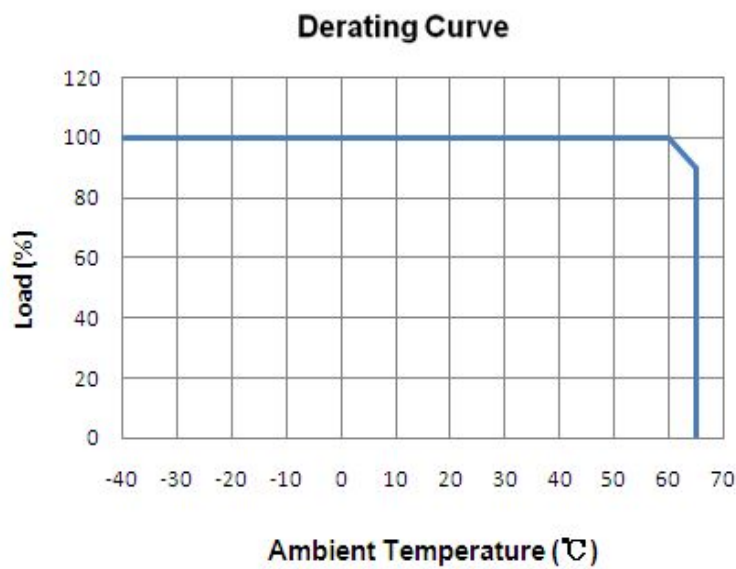
1.LCU: Product line 2.085:Output power 85W 3.035:Output Current 350ma

	Items	Models								
		LCU-085D035	LCU-085D045	LCU-085D070	LCU-085D105	LCU-085D140	LCU-085D175	LCU-085D200	LCU-085D245	LCU-085D280
Output	Max. Output Power	85W	85W	85W	85W	85W	85W	85W	85W	85W
	Output Current	350mA	450mA	700mA	1050mA	1400mA	1750mA	2100mA	2450mA	2800mA
	Output Current Tolerance	±5%								
	Output Voltage Range	121~243	94~189	61~121	40~81	30~61	24~49	21~43	17~35	15~30
	Output Current Ripple	5% I _o ; pk - pk, at full load condition								
	Max. Output Noise	500mVp-p	400mVp-p	400mVp-p	350mVp-p	350mVp-p	300mVp-p	300mVp-p	300mVp-p	300mVp-p
Input Voltage Range	90Vac ~ 305Vac									

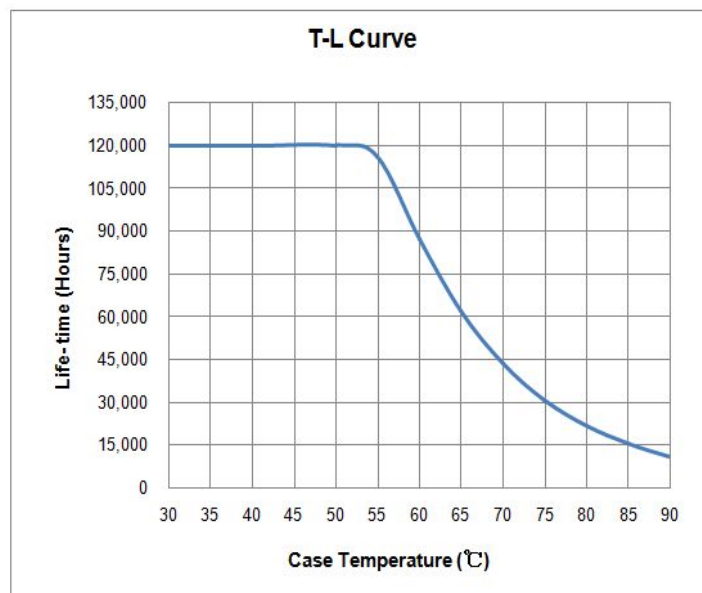
Input	Input Frequency Range	47 ~ 63Hz			
	Power Factor (Typical)	0.99 at 120Vac ; 0.95 at 277Vac			
	THD	≤15%			
	Efficiency	90%	89%	87%	85%
	Inrush Current	Max. 75A at 220Vac input, duration 1.7ms, 10% Ipk to 10% Ipk.			
	Inrush Current (I ² t)	Max. 3.5A ² s at 220Vac input, duration 1.7ms, 10% Ipk to 11% Ipk.			
	Leakage Current	Max. 1mA			
Protection	Short Circuit Protection	Yes			
	Over Temperature Protection	Yes			
	Over Voltage Protection	110% Vout			
Environment	Operation Ambient Temperature	- 40°C ~70°C According to the Derating Curve			
	Working Humidity	10% RH to 100%RH			
	Storage Temp, Humidity	-40°C-+85°C, 5% RH to 100% RH			
Safety & EMC	Withstand voltage	I/P-O/P:3.75KVac I/P-FG:1.88KVac O/P-FG:0.5KVac			
	Isolation Resistance	I/P-O/P, I/P-FG, O/P-FG: 100MΩ/500Vdc/25°C/70%RH			
	Surge Immunity	AC power: line to line 4kV, line to earth 6kV			
	EMI	Comply with FCC Part 18 class B, EN55015, EN61000-3-2, EN61000-3-3			
	Max. Case Temperature	90°C			

Other	No Load Power Dissipation	$\leq 0.65W$
	Dimensions (L x W x H)	181*67.5*36.5 mm
Notes	1. Efficiency is measured at 277Vac input , rated load and 25°C of ambient temperature. 2. Ripple and Noise are measured at 20MHz of bandwidth by using a 12" twisted pair-wire terminated with a 0.1uf ceramic capacitor and a 47uf elec.capacitor in parallel. 3. 5 Years Warranty	

Derating Curve



Case Temperature vs. Life time

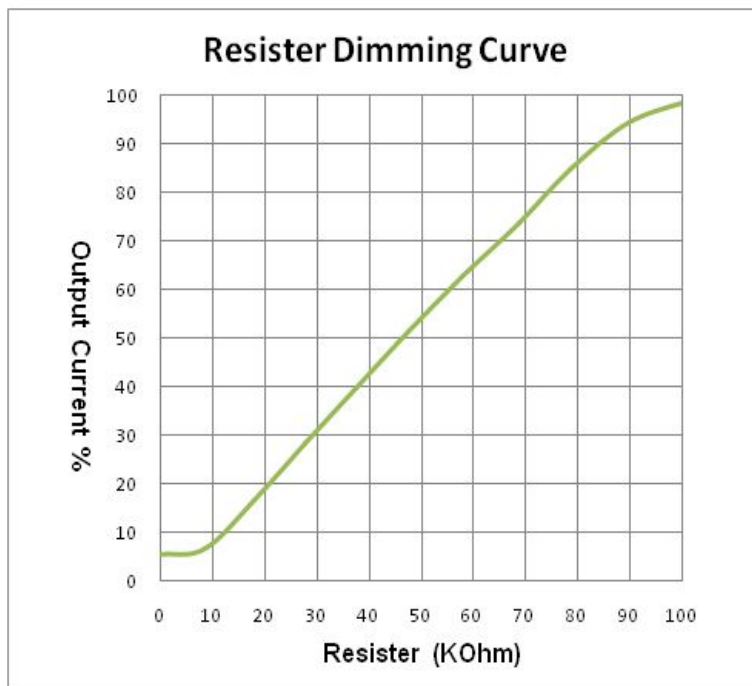
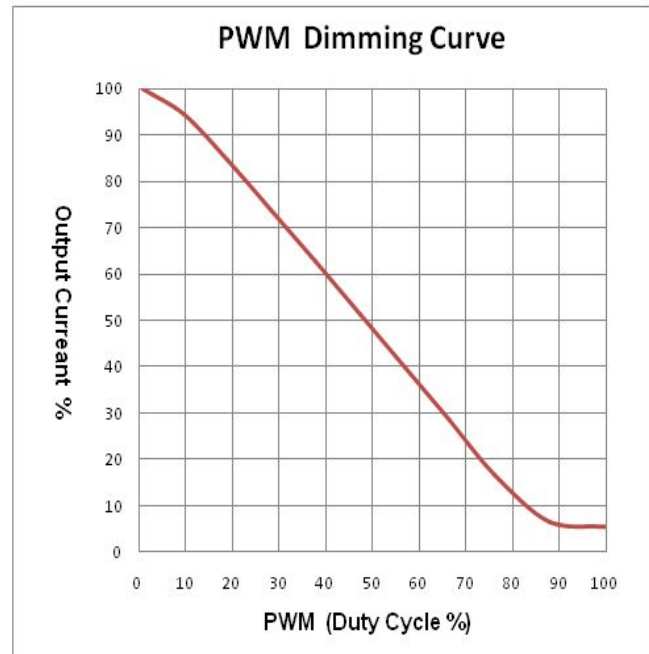
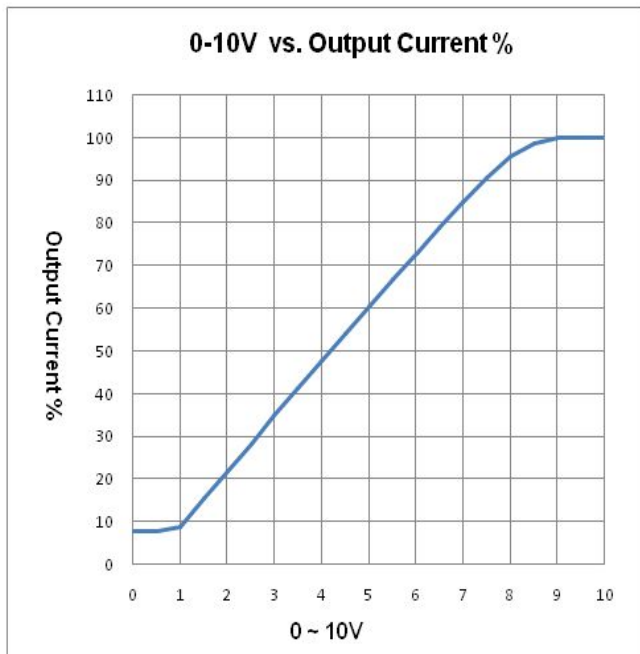


Dimming operation

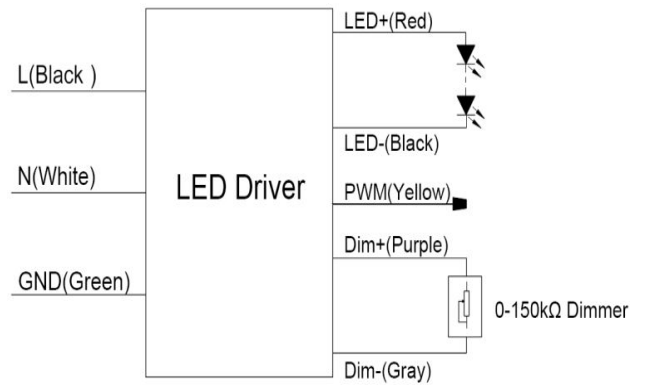
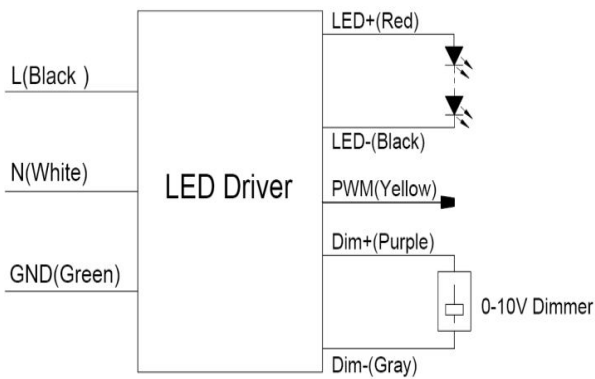
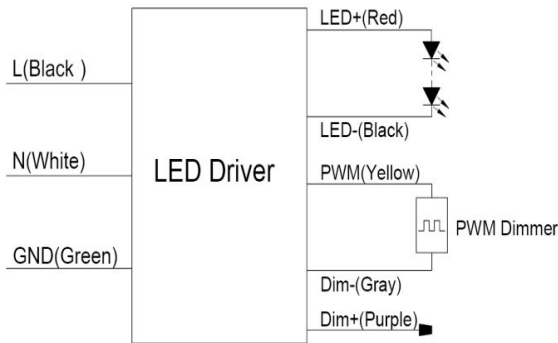
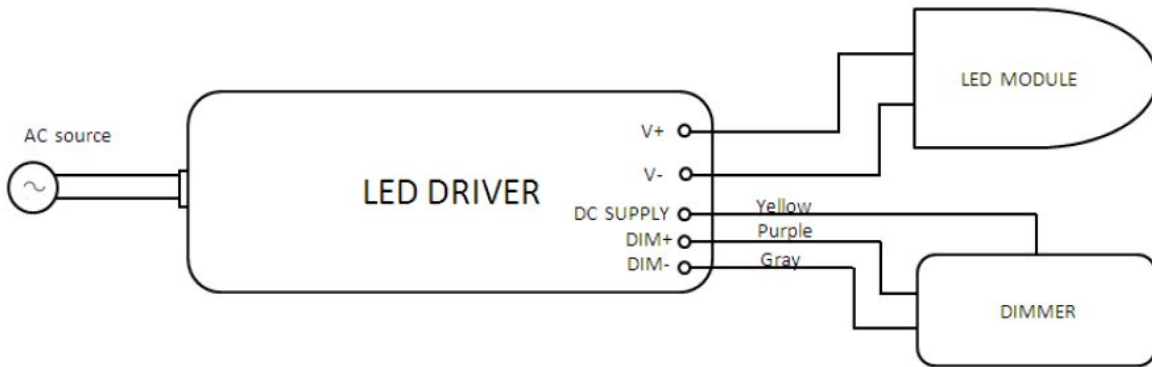
※ Built-in 3 in 1 dimming function, IP67 rated. Output constant current level can be adjusted through output cable by connecting a resistance or 1 ~ 10Vdc or 10V PWM signal between DIM+ and DIM-.

※ Please DO NOT connect "DIM-" to "-V".

Dimming Curve



Wiring Diagram



Mechanical Specification:

